

 **Applications**



Wood & Profiles

08CH

08CH-EN

The automatic strapping machines model 08CH, are ideal to vertically strap all wooden products such as panels, strips and planks which need to be kept together during transport and handling. Depending on the type of product to be bound, the machines may

be equipped with devices to apply wooden runners above and below the pack, or cardboard corner protectors before the strapping phase. The operating cycles of the machines and the individual devices may be programmed through an operator panel.

Technical data

Power supply

Voltage 400 V (+/-10%) - 50Hz

Installed power ~ 5,2 kW

Air supply

Pressure 5,5 ÷ 7 bar

Coil size

Max internal diameter 390 ÷ 405 mm

Max external diameter 600 mm

Pack size (standard machine)

Width 600 / 2500 mm

Height 200 / 1200 mm

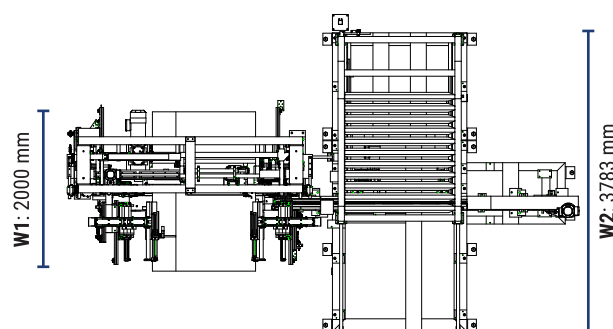
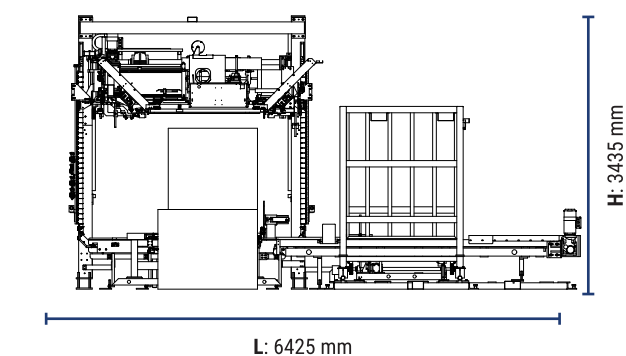
Applicable strapping heads

TR2000

Strap

Type of strap Polyester (PET)

Standard machine dimensions



Officina Meccanica Sestese S.p.A.

Via Borgomanero, 44 - 28040 Paruzzaro (NO)

Tel. +39 0322 541411 Fax +39 0322 53157

www.omsspa.com

info@omsspa.com

As a part of our policy of continuous improvement, we reserve the right to alter design and specifications without prior notice. This brochure is for descriptive purpose only. Some of the items pictured in this brochure are optional and not standard equipment.