

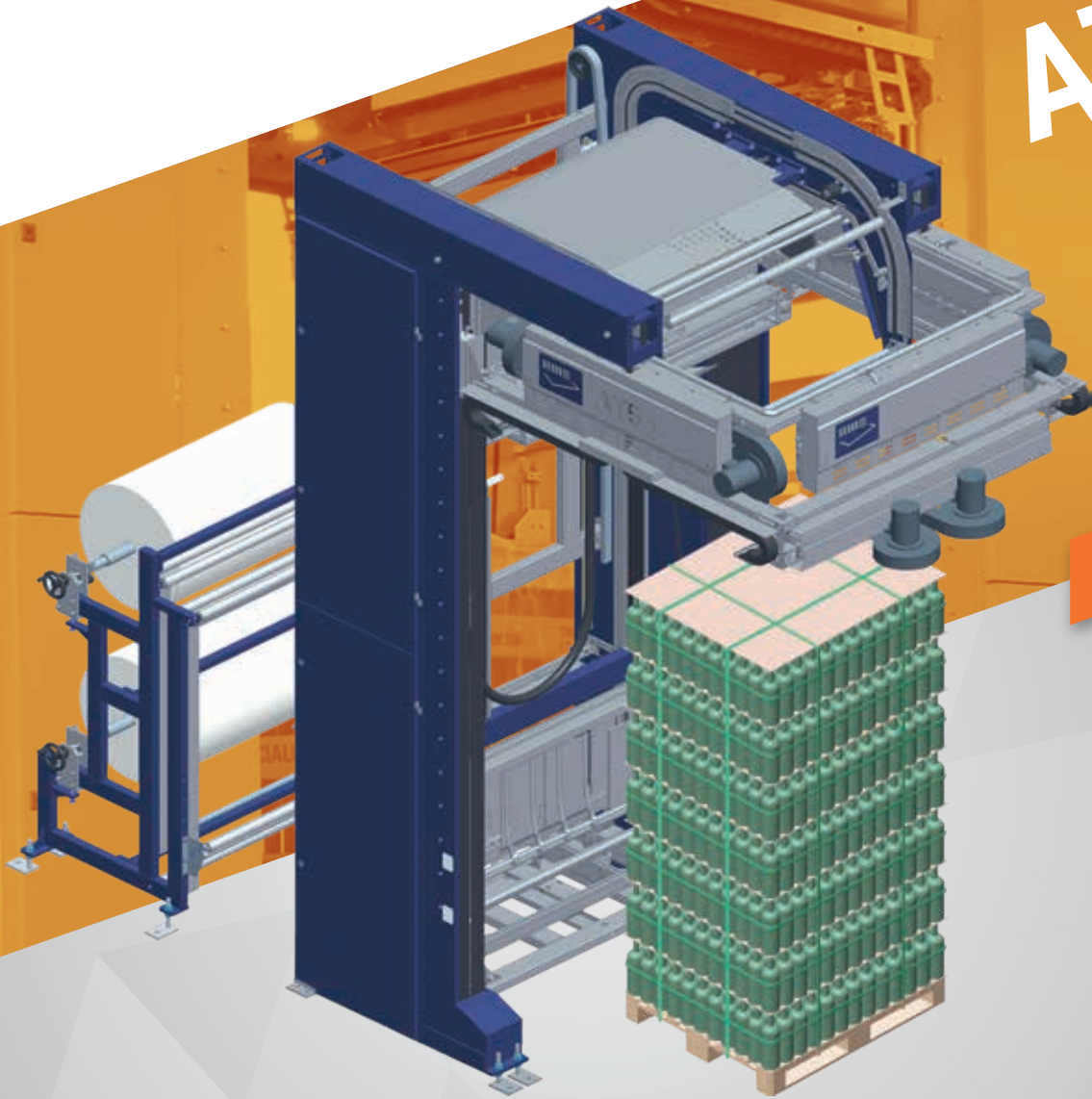


THERMOSHRINKING

MOD.

AT55

NEW!



 Applications



Glass

- HIGH PERFORMANCE
- PROTECTED AND STABLE LOADS
- HIGH RELIABILITY & LOW MAINTENANCE

AT55

AT55_EN

The AT55 automatic hooding machine represent the new state of art of OMS's develops. This machine uses a single work station to shrink hood the products to be packaged; especially designed for the hollow glass industry. The machine uses coils of tubular thermoshrinking film with side

gussets. The coils can be 1, 2 or 3 depending on the chosen version. The film is shrunk on the product by a ring-like gas oven. All use and maintenance automatic and manual functions are controlled by a PLC. The operator needs to be present only to change the film coil.

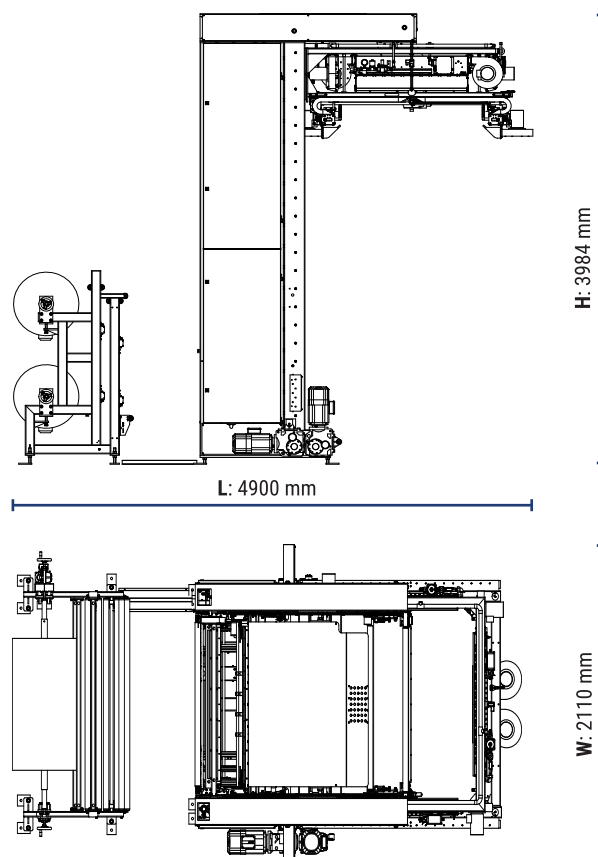
Technical Data

Power supply	
Voltage	400 V (50Hz)
Installed power	~ 25,5 kW
Air supply	
Pressure	5,5 ÷ 7 bar
Gas supply	
Gas type	Propane or methane (butane)
Pressure	200 mbar -15% / +5%
Coil	
Film type	Thermoshrinking polyethylene
Film Thickness	70 ÷ 180µ
Max external diameter	ø 700 mm
Pack size	
Length Medium / Maxi version	Up to 1500 mm
Width	Up to 1200 mm
Height	Max. 2700 mm
Production	
Capacity	Up to 60 packs/hour



Shrink cycle detail

Standard machine dimensions



Options

- Special motors for productivity up to 80 p/h
- Double or triple coil holder
- Coil up to ø 1000 mm
- Lifter (to seal the film under the pallet)
- External temperature sensor
- Gas pressure reducer kit (Max pressure input 4bar)
- Gas pressure reducer kit (Max pressure input 8bar)



Officina Meccanica Sestese S.p.A.

Via Borgomanero, 44 - 28040 Paruzzaro (NO)

Tel. +39 0322 541411 Fax +39 0322 53157

www.omsspa.com

info@omsspa.com

As a part of our policy of continuous improvement, we reserve the right to alter design and specifications without prior notice. This brochure is for descriptive purpose only. Some of the items pictured in this brochure are optional and not standard equipment.