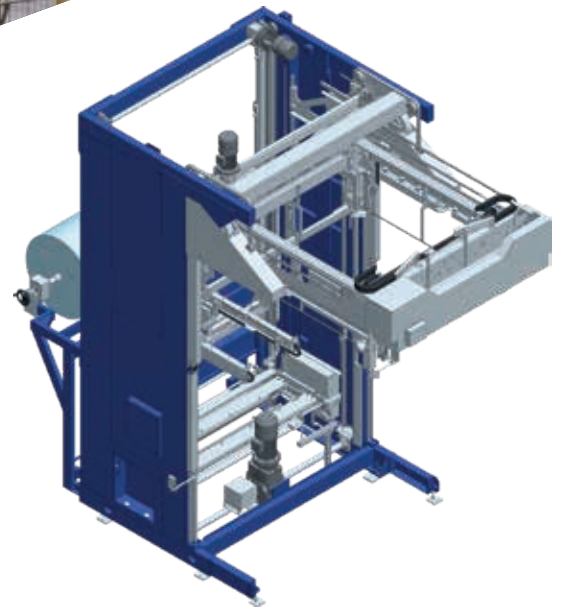




BAGS STRETCH HOODING

PACKAGING SOLUTIONS. SINCE 1949





IS43 STRETCH HOOD MACHINE

ECO-FRIENDLY

Thanks to our “Upside down” system, which revolutionizes the traditional hooding principle, the IS43 offers significant advantages. With the IS43, it is possible to stretch the film vertically, resulting in a saving of at least 15% of plastic material compared to conventional systems. This not only ensures a rapid return on your initial investment but also actively contributes to lowering CO2 emissions by reducing plastic consumption.

ERGONOMIC

At OMS, we’ve always prioritized the ergonomics of our machines. The IS43 has been meticulously designed to make reel loading and all maintenance points easily accessible, eliminating the need for ladders or elevated platforms. This ensures that your operators and maintenance personnel can work more comfortably, efficiently, and in complete safety.

SIMPLE

The IS43 doesn’t require special conveyor for its operation. It can be easily integrated into any packaging line, even pre-existing ones, without significant disruption. Its two-column structure allows side placement along the conveyor line, utilizing minimal space. Thanks to its design, on-site assembly is exceptionally quick, resulting in a substantial reduction of line downtime required for integration.

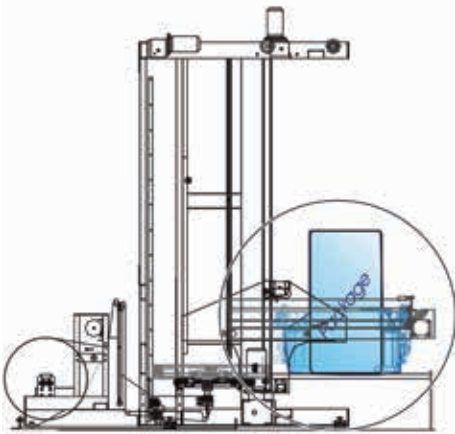


The “OMS Advantages” for the **Bags** industry

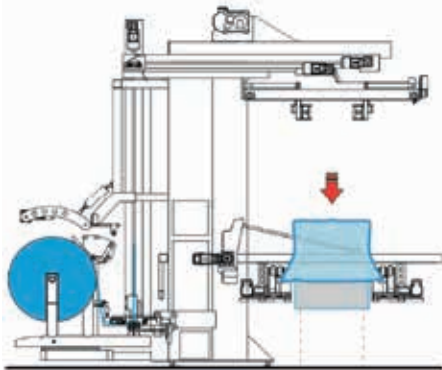
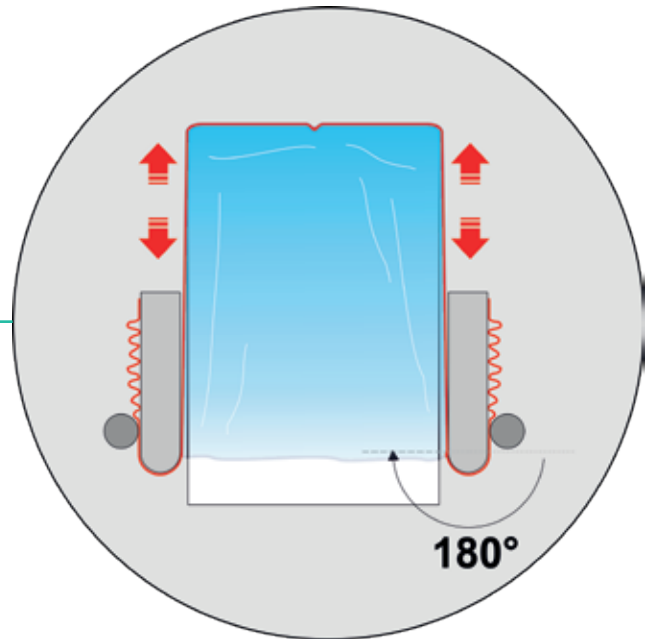
ECO-FRIENDLY

ERGONOMIC

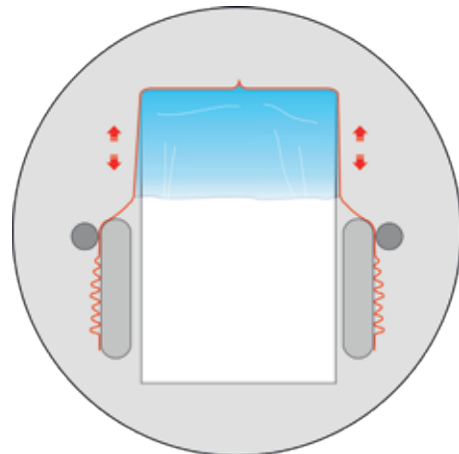
SIMPLE

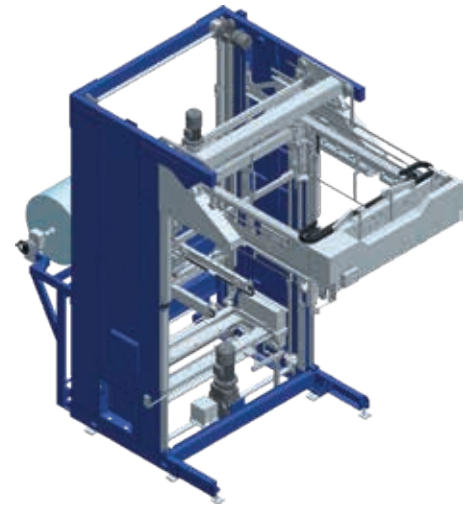


IS43 STRETCH HOODING SYSTEM
HIGH RADIAL STRETCHING STRENGTH
COMBINED WITH VERTICAL STRETCH
GUARANTEES HIGH STABILITY OF THE
PACKAGING



STANDARD SYSTEM
OF HOODING





IS43 STRETCH HOOD MACHINE

Technical data

Power supply

Voltage	400V 3Phases (50Hz)
Installed power	~ 9,0 kW

Air supply

Pressure	5,5 ÷ 7 bar
Consumption	~ 100 NL/cycle
Connection pipe diameter	Min 3/4"

Coil size

Film type	Stretch polyethylene
Max external diameter	700 mm
Film thickness	70 ÷ 140 micron
Max weight	500 kg

Production

Capacity	from 25 to 120 pallets/hour
----------	-----------------------------

Pack size

Max. 1200x1200mm - h: 1500mm

Options

- Two or three line-arranged coils
- Film rooping device
- Pack lifting device
- Air cooling system
- Package height detection device

The Stretch Hooding Machine model IS43 has been designed to package palletized products using tubular stretch-film.

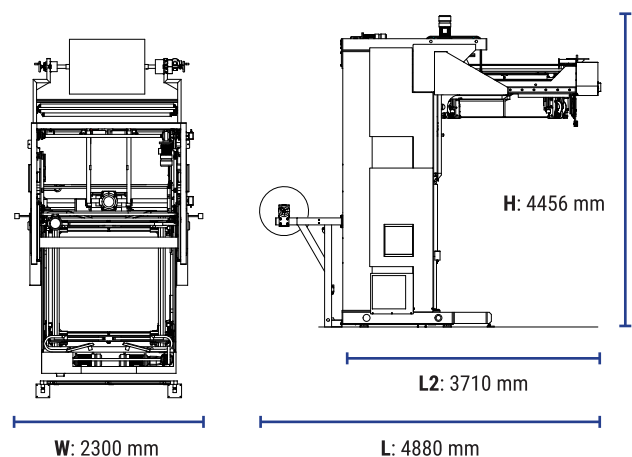
The stretch hooding technique uses a film hood which have smaller circumference, without the use of heat; the stretching and the shrinkage strength of the film assure the best stability of the packaged products.

The hoods are prepared in the rear part of the machine, while the hooding of the product is performed in the front zone.

The mechanical clamping system, moves vertically the bag on the upper part of the arch; the film is gathered on four special devices, then stretched to fit the dimensions of the product to be packaged.

Peculiarity of this packaging system is the final result: the welding ends of the hood are on the inner side, thus assuring a flat surface of the upper side and therefore an excellent stability of the load.

* Machine standard dimensions

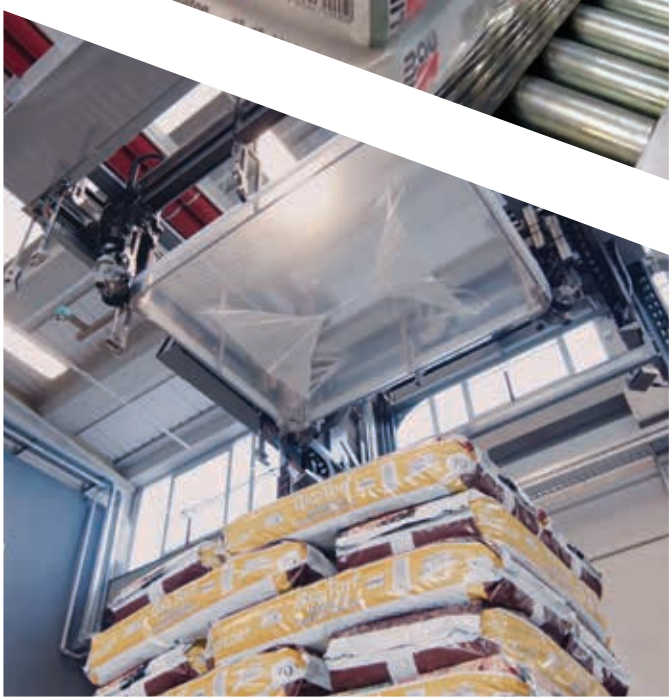




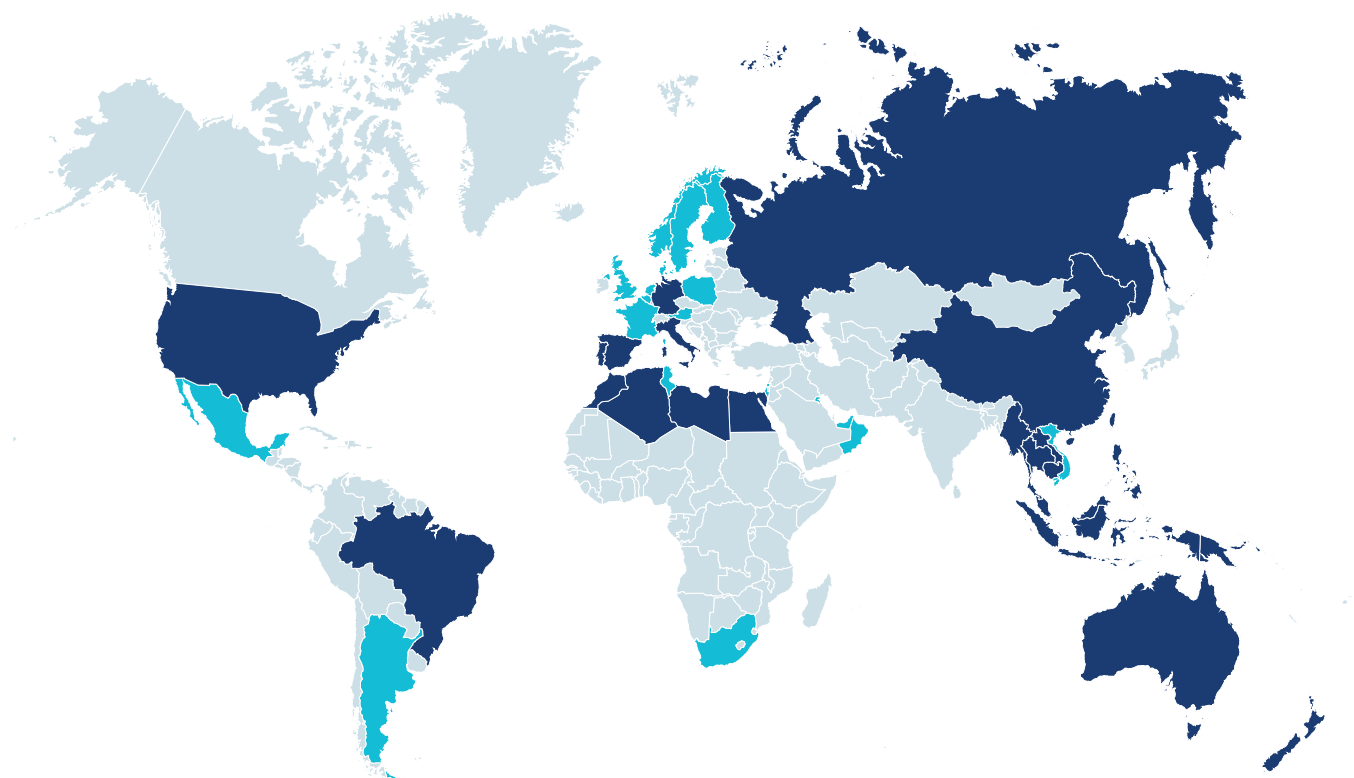
Different industries...



Same advantages!



OMS in the World



● Subsidiaries ● Distributors

ITALY www.omsspa.com www.omstrap.it www.marpak.it	GERMANY www.oms-ips.com	SPAIN www.omsespana.com	PORTUGAL www.embalcer.pt	RUSSIA www.omssystems.ru
MAGHREB contact@omsmaghreb.com	SINGAPORE www.omssin.com.sg	BRASIL www.omsbr.com.br	USA www.greenbridge.com	AUSTRALASIA www.omsaus.com.au
THAILAND www.omsthai.com	UK www.gordianstrapping.co.uk	AUSTRIA www.riegler-verpackungstechnik.com	BENELUX www.certis.be	FRANCE www.getra.fr
UAE / OMAN / KUWAIT www.consentplastic.ae	DENMARK www.walpak.dk	FINLAND www.telpak.fi	MEXICO enrico@italcer.net	ARGENTINA www.exim-consult.com
ISRAEL www.mmts.co.il	TUNISIA www.toupackgroup.com	VIETNAM sales_advance@hcm.fpt.vn	SOUTH AFRICA www.futurepack.co.za	

For additional details, visit: www.omsspa.com/en/the-group



Officina Meccanica Sestese S.p.A.

Via Borgomanero, 44 - 28040 Paruzzaro (NO)
 Tel.+39 0322 541411 - Fax +39 0322 53157
www.omsspa.com info@omsspa.com